

ID 3104.2

Industrial Design Computing II – Sketch

Instructor: Suzi Boyden | sjboyden@gmail.com | www.sjboyden.com

Project:

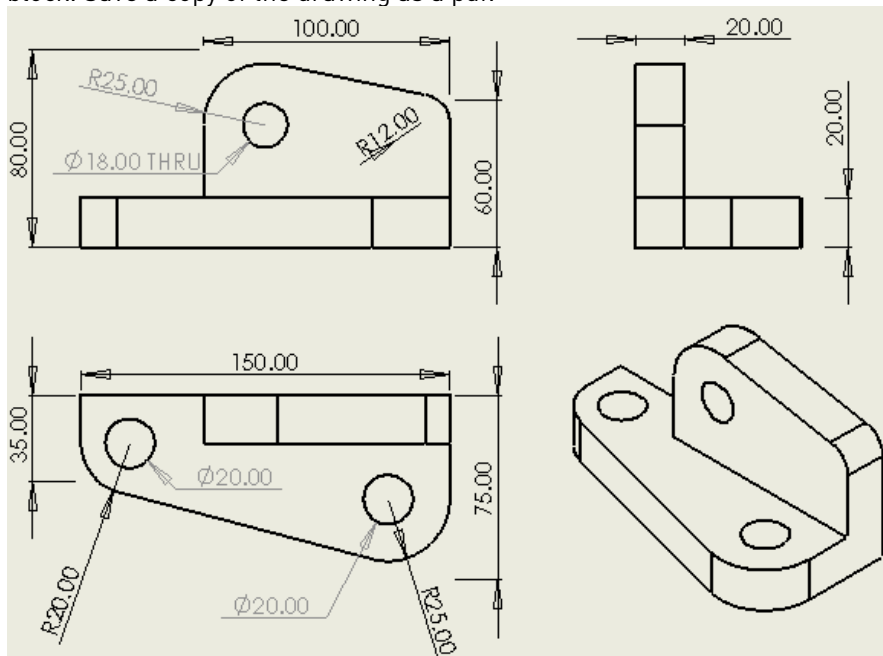
Sketch on multiple planes

Skills:

- Sketching on multiple planes
- Feature Fillets
- Hole Wizard
- Drawing Dimensions-Annotations

Specifics:

Reproduce the provided object via a sketch with feature fillets. Extrude the shape and use the hole wizard to punch a number of simple through all holes on each surface. Holes are concentric to circular edges created by fillets. Create a dimensioned drawing with your name in the title block. Save a copy of the drawing as a pdf.



Submit:

- Part file (ex: sboyden2.sldprt)
- Part Drawing (ex: sboyden2.slddrw)
- PDF (ex: sboyden2.pdf)
- **Print of PDF**

Schedule:

Lecture 1.26.2009

Project due 2.2.2009 (by 6:15pm)