

# ID 3104.8

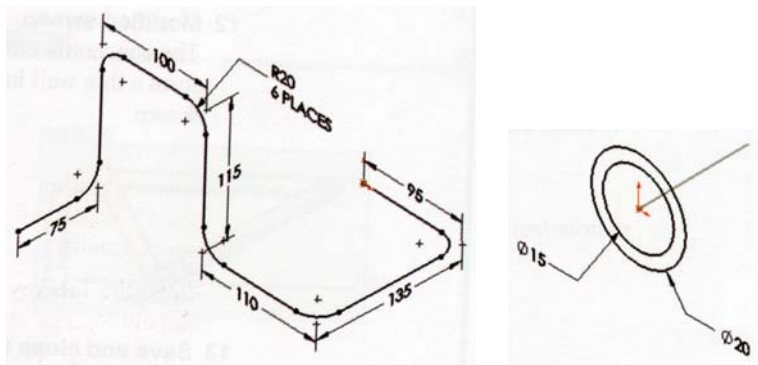
## Industrial Design Computing II – 3D Sketch

Instructor: Suzi Boyden | [sjboyden@gmail.com](mailto:sjboyden@gmail.com) | [www.sjboyden.com](http://www.sjboyden.com)

**Project:**  
3D Sketch

**Skills:**  
→ 3Dsketching, Sweeps

**Specifics:**  
Create a 3D sketch with the dimensions shown, with a feature sweep. Insert the finished part into a drawing with dimensions as necessary for someone else to rebuild the same part. Save a copy of the drawing as a pdf.



**Submit:**

- Assembly file (ex: sboyden8.sldprt)
- Part Drawing (ex: sboyden8.slddrw)
- PDF of drawing (ex: sboyden8.pdf)
- **Print of PDF**

**Schedule:**  
Lecture 3.23.2009  
Project due 3.30.2009 (by 6:15pm)